

Neupmatic Valve™

Remote Gas Shutoff System

Revenue Protection

Manage collection of unpaid gas bills.
Control transfer of service.

Safe

Pneumatic operation. No exposed moving parts.

Security

Tamper Proof **Neupmatic Valve™** features exclusively engineered **McGARD** Security Fasteners, integrated check valve and a fail-safe system that closes if tampered with.

Extended Life

Maintenance free **Neupmatic Valve™** is field tested ensuring reliability.

Ease of Installation

Preassembled reusable unit installs quickly.



CERTIFICATIONS



IAS-US, 3-97

ANSI/ASME B1.1

ANS Z21.21-CGA 65 Automatic Valves

U.S. PATENT # 5,918,618

SPECIFICATIONS

Fail Safe Closed

Valve Pressure:
0 PSIG to 60 PSIG

Actuator Pressure:
90 PSIG to 110 PSIG

Temperature:
0°F to 140°F

O Rings:
BUNA N (NBR)

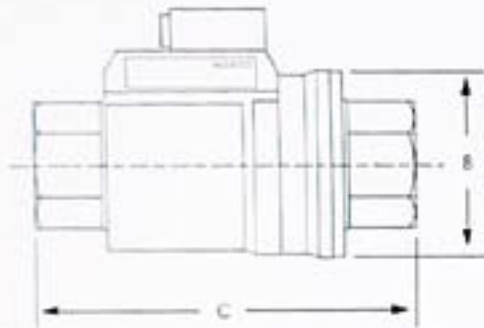
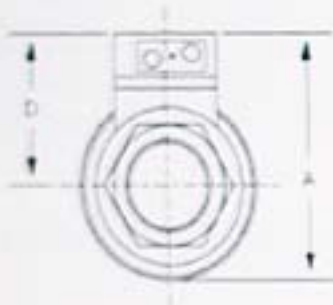
Seats:
BUNA N (NBR)

"Serving the world's gas providers"

Neupmatic Valve™
 Remote Gas Shutoff System

ACCESSORIES

- Hand Air Pump
- Charging Assembly
- McGARD, Tri-Tool



Size	Part Number	CV	Dimensions (inches)				Weight (LBS)
			A	B	C	D	
1/2"	MNEU-NC-B-B-050-20	10	3.06	2.00	4.21	2.06	3.10
3/4"	MNEU-NC-B-B-075-20	13	3.51	2.10	4.92	2.26	4.50
1"	MNEU-NC-B-B-100-20	17	3.75	2.72	5.31	2.38	4.95
1 1/4"	MNEU-NC-B-B-125-20	28	4.34	3.39	6.02	2.65	8.30
1 1/2"	MNEU-NC-B-B-150-20	57	4.75	3.78	6.73	2.87	8.95
2"	MNEU-NC-B-B-200-20	81	5.25	4.29	7.51	3.10	13.55

LOCKBOX AND 20 FT. OF CAPILLARY STANDARD

NC-NORMALLY CLOSED

B-BUNA N (NBR)

B-BUNA N (NBR)

Manufactured By:
Buffalo Gauge Inc.™
GAS ZONE™ Division

4252 Ridge Lea Road
 Buffalo, NY 14226-1016
 Phone: (800) 323-1155
 Fax: (716) 834-2481
 www.gaszone.com

Represented By: